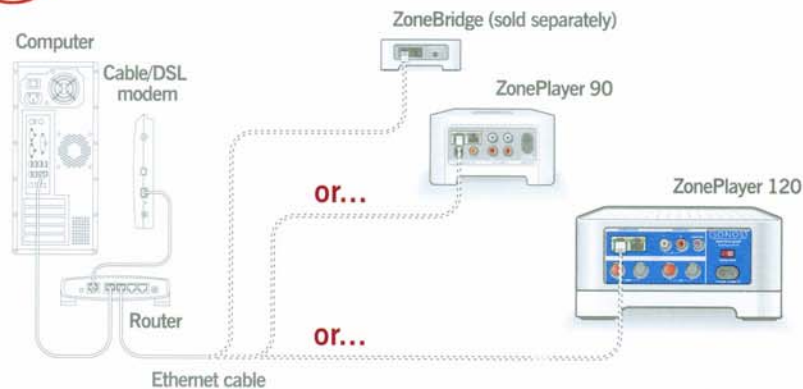


# Quick Setup Instructions

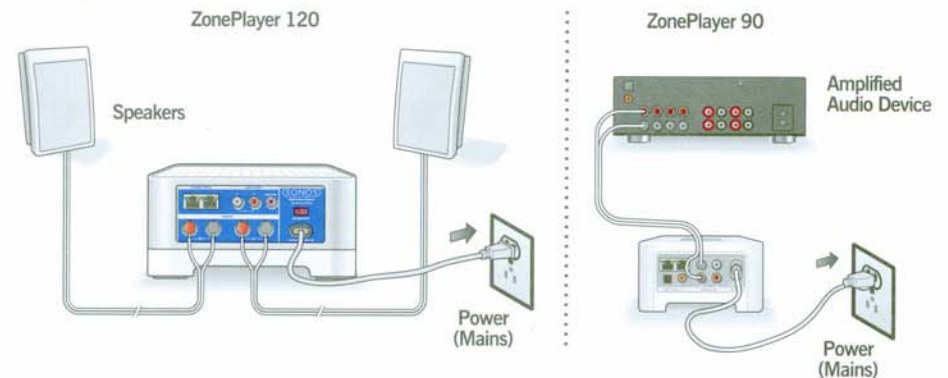


All the music you want. All over your house.

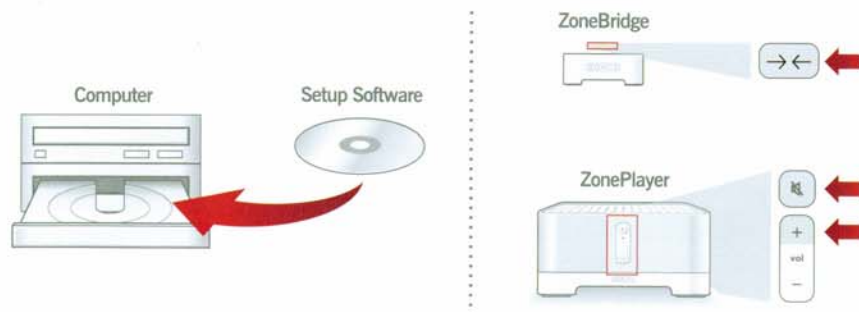
- 1** Connect one ZonePlayer™ (or ZoneBridge™) to an Ethernet port on your broadband router.



- 2** Place ZonePlayers in the rooms of your choice and apply power.



- 3** Install the software to set up your music system.  
Be sure to register to receive future software updates.



- 4** Add the Sonos Controller 200 to your music system.  
First place the Controller into the charging cradle to 'wake' it up.

